

We Love To Hear From You!

Please send us a picture
with your plane on our
stand.

✉ glen@rcplanestands.com



Video Instructions at:

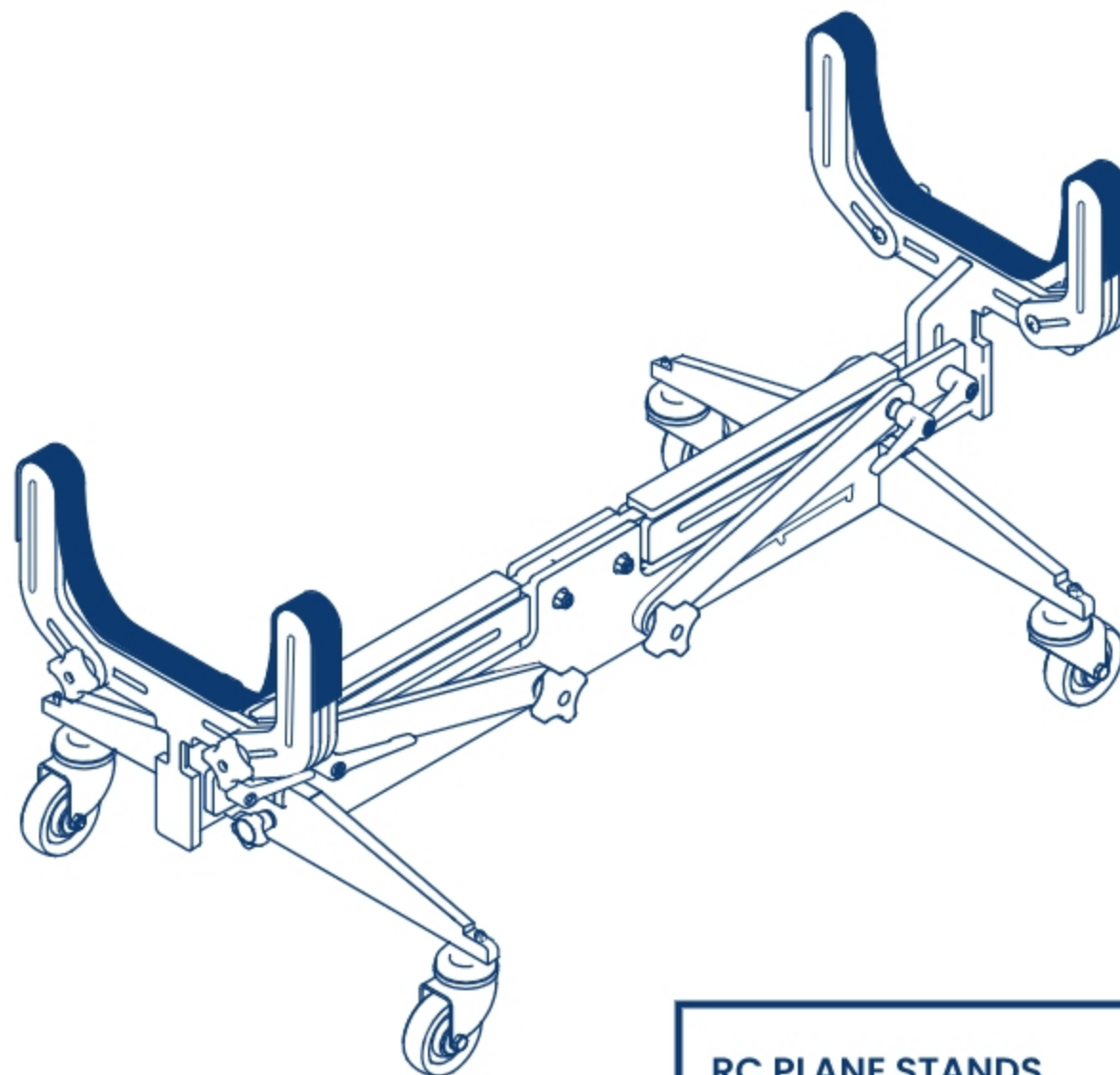
<https://rcplanestands.com/pages/assembly-videos>

or scan here



VERSION 8 02/23

CLASSIC II FLOOR MODEL ASSEMBLY



RC PLANE STANDS

☎ 949.633.3420

✉ glen@rcplanestands.com

🌐 www.rcplanestands.com

TOOL TRAY INSTALLATION



Tools Needed: One 9/16" Socket or Wrench

Plywood Parts (PW)			Hardware List - (HW)			
Key	Qty	Description	Number	Qty	Size	Part Name
PW1	1	Main Base	HW2	2	5/16" X 1 1/2"	Studded Star Knob
PW2	2	Legs With Feet	HW3	2	3/8" X 2"	Carriage Bolts
PW3	2	Main Rails	HW4	2	3/8" X 3 1/4"	Carriage Bolts
PW4	4	Sliders	HW5	2	3/8" X 3"	Carriage Bolts
PW5	4	Support Arms	HW6	2	3/8" X 2 1/2"	Carriage Bolts
PW6	2	Tee Brackets	HW7	4	5/16" X 2"	Carriage Bolts
PW7	4	Arms	HW8	4	5/16"	Five Star Knobs
Optional Tool Tray Plywood Parts (PW)			HW9	2	3/8"	Five Star Knobs
PW8	1	Tool Tray	HW10	4	3/8"	Flat Washers
PW9	2	Small Rails	HW11	6	5/16"	Flat Washers
			HW12	4	1 1/4"	Fender Washers
			HW13	4	3/8"	Lever Handles
			HW14	2	3/8"	Nylon Lock Nuts
			HW15	1	1 1/2" X 72"	One Wrap Velcro
			HW16	4	3"	Wheels (Optional)

Optional Tool Tray Hardware			
HW17	2	3/8" X 2 1/2"	Carriage Bolts
HW18	2	3/8"	Flat Washers
HW19	2	3/8"	Five Star Knobs

Video Instructions at:

<https://www.rcplanestands.com/assembly.html>

or scan here



Step One

Add the two Small Rails (PW item 9) to both sides of the Tee Bracket (PW item 6) and attach them through the 3/8" holes at the end of the Small Rails with the 3/8" x 2 1/4" Carriage Bolt (HW item 17) along with a 3/8" Flat Washer (HW item 18) and a 3/8" Five Star Knob (HW item 19).

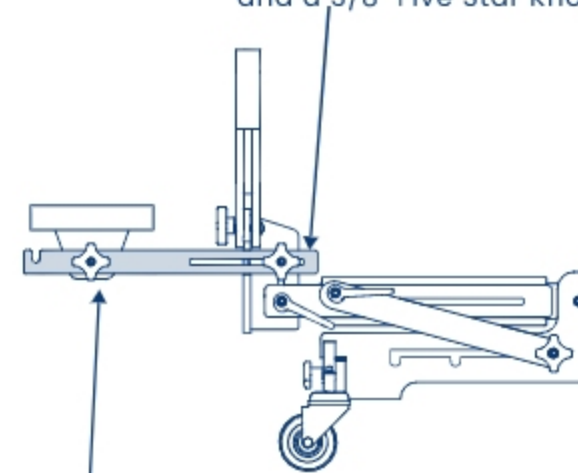
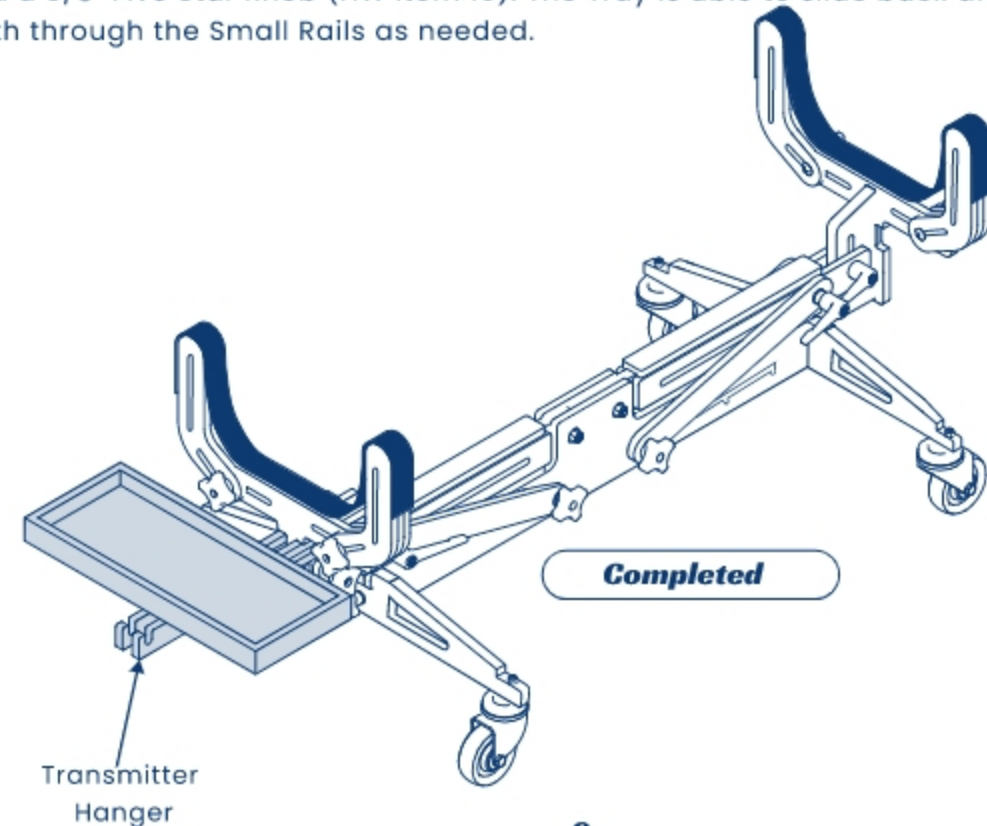


Image One

Step Two

Place the Tool Tray (PW item 8) in between the two Small Rails (PW item 9) and attach them through the 3/8" slots of the Small Rails with the 3/8" x 2 1/4" Carriage Bolt (HW item 17) along with a 3/8" Flat Washer (HW item 18) and a 3/8" Five Star Knob (HW item 19). The Tray is able to slide back and forth through the Small Rails as needed.



Completed

Transmitter Hanger

OPTIONAL TOOL TRAY

Optional Tool Tray Plywood Parts (PW)

PW8	1	Tool Tray
PW9	2	Small Rails

Optional Tool Tray Hardware

HW17	2	3/8" X 2 1/4"	Carriage Bolts
HW18	2	3/8"	Flat Washers
HW19	2	3/8"	Five Star Knobs

17

3/8" X 2 1/4" Carriage Bolts



18

3/8" Flat Washers

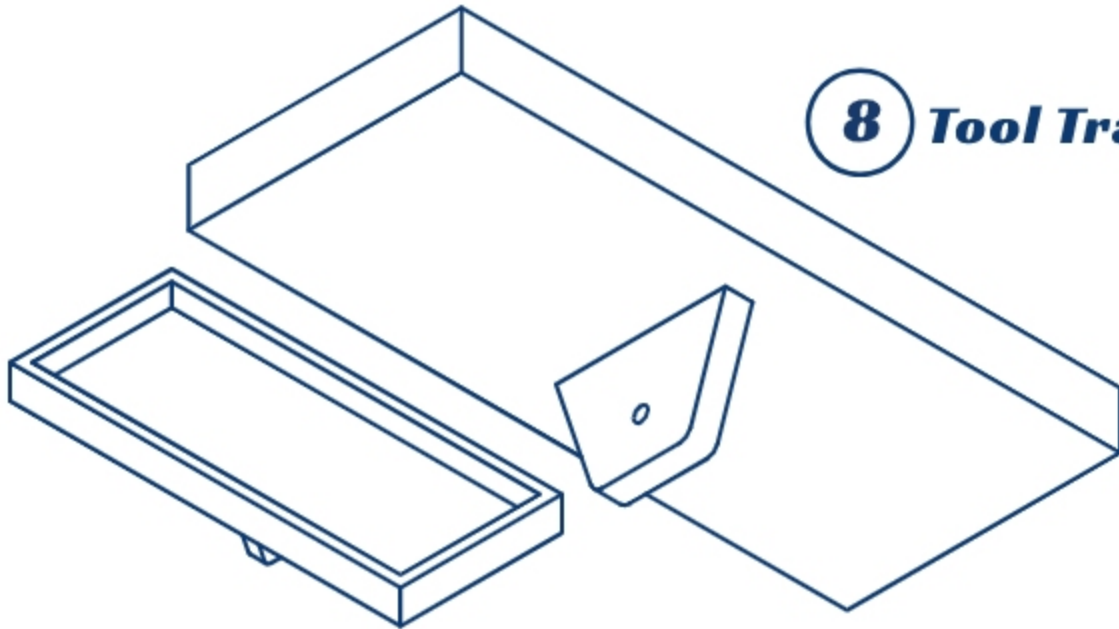


19

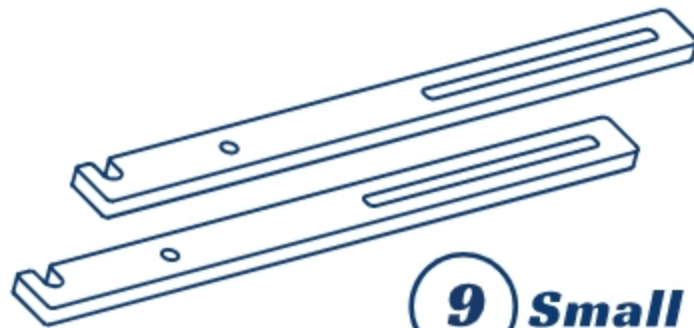
3/8" Five Star Knobs



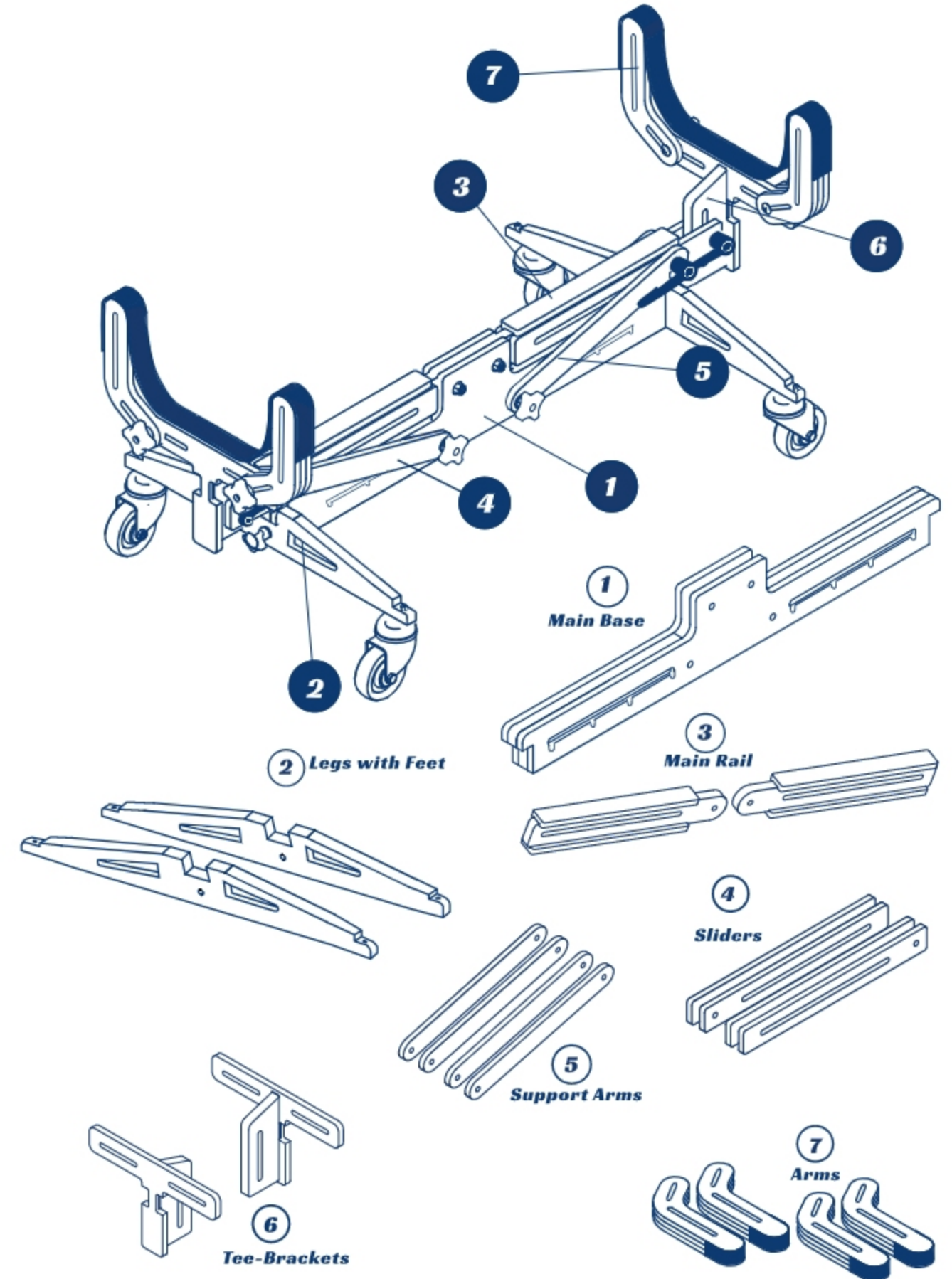
8 Tool Tray



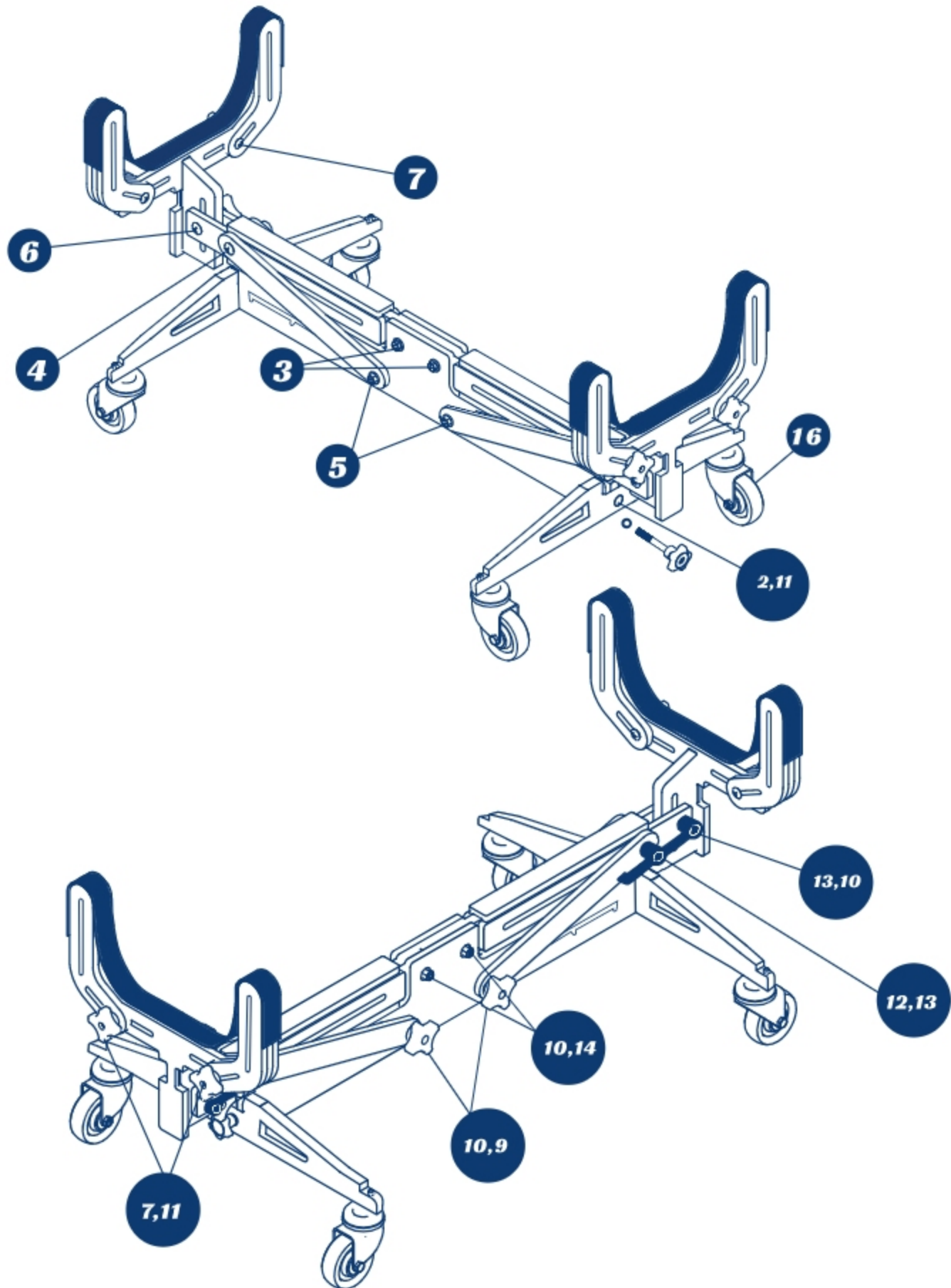
9 Small Rails With Transmitter Hooks



PLYWOOD PARTS



HARDWARE PARTS



ASSEMBLY PROCEDURE

Step Seven

Finally, adjust the arms to your planes width and add the Velcro One-Wrap to create a sling for your plane to sit in.

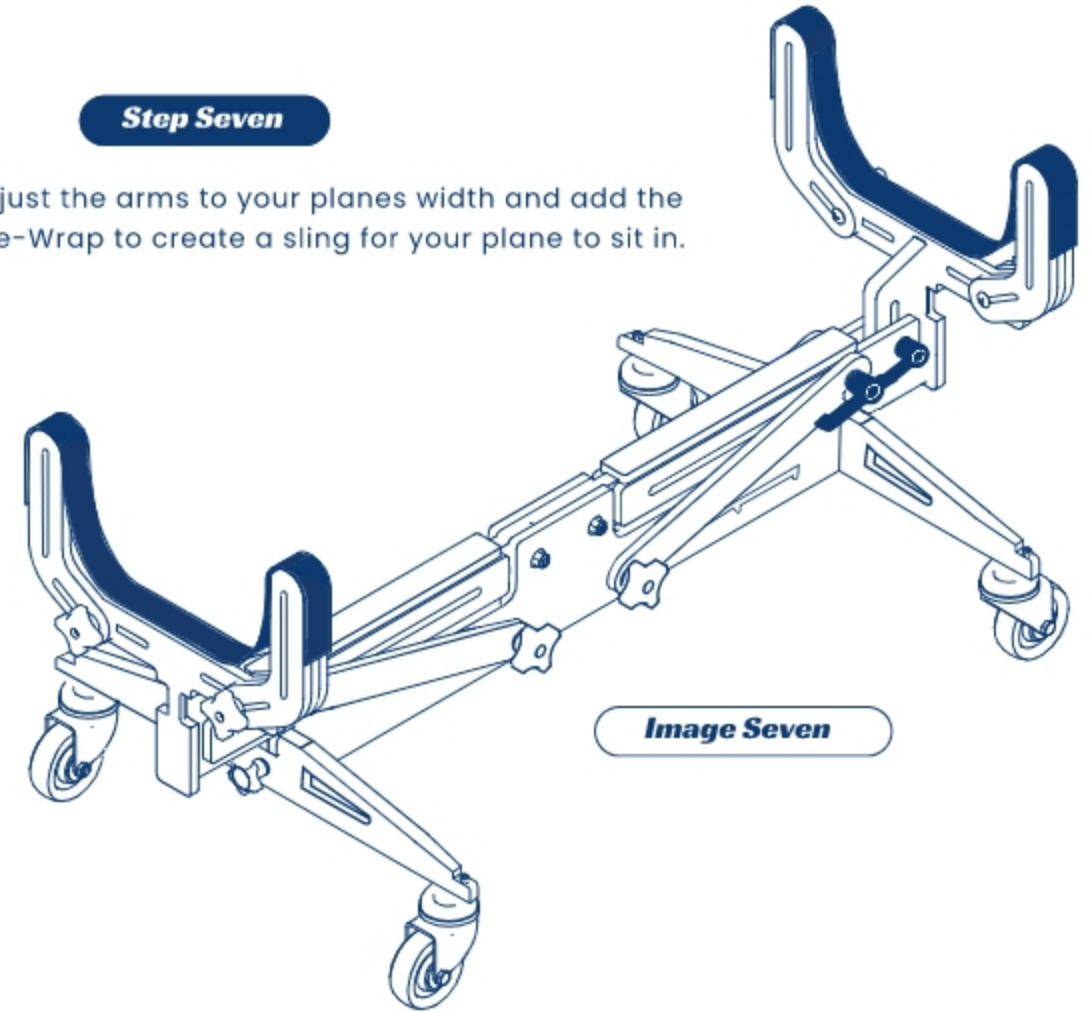


Image Seven

CONGRATULATIONS!

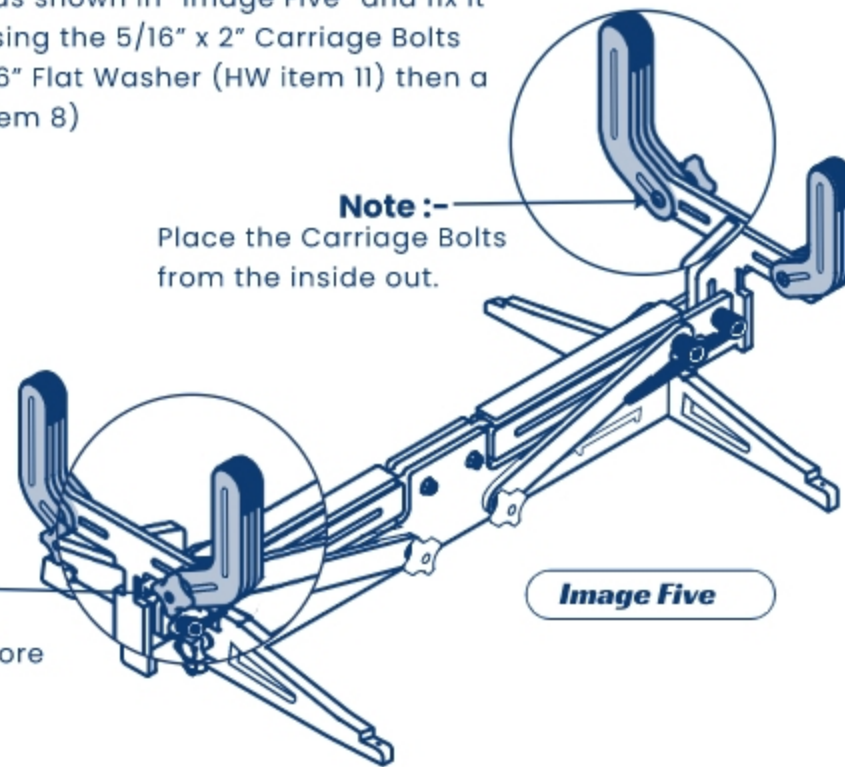
You've Just Put Together The "BEST" RC Plane Stand On The Market.

I Hope You Enjoy It For Many Years To Come.

ASSEMBLY PROCEDURE

Step Five

Now place the four Arms (PW item 7) on the Tee-Brackets (PW item 6) as shown in "Image Five" and fix it to the Tee-Brackets using the 5/16" x 2" Carriage Bolts (HW item 7) and a 5/16" Flat Washer (HW item 11) then a Five Star Knob. (HW item 8)



Note :-
Place the Carriage Bolts from the inside out.

Image Five

Note :-
Place the 5/16" Flat Washers (item 11) before adding the Knob.

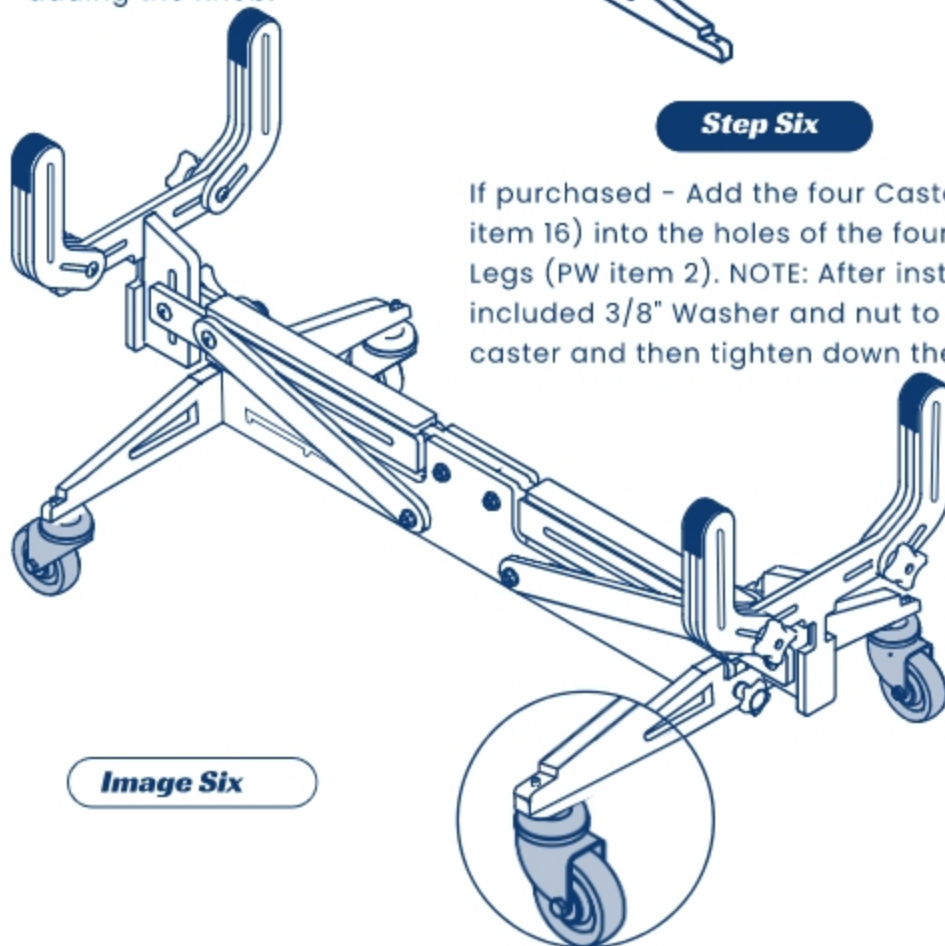


Image Six

Step Six

If purchased - Add the four Caster Wheels (HW item 16) into the holes of the four feet of both Legs (PW item 2). NOTE: After installing, add the included 3/8" Washer and nut to the top of the caster and then tighten down the nut.

6

HARDWARE PARTS

②
5/16x2" Star Knobs
with Studs



③
3/8" X 2" Carriage Bolts



④
3/8" X 3 1/4 " Carriage Bolts



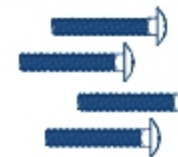
⑤
3/8" X 3" Carriage Bolts



⑥
3/8" X 2 1/4" Carriage Bolts



⑦
5/16" X 2" Carriage Bolts



⑧
5/16" Five Star Knobs



⑨
3/8" Five Star Knobs



⑩
3/8" Flat Washers



⑪
5/16" Flat Washers



⑫
3/8 X 1 1/4" Fender Washers



⑬
3/8" Lever Handles



⑭
Lock Nuts



⑮
Velcro One-Wrap Straps
Comes In One Piece, Must Cut In Half



⑯
Caster Wheels



3

ASSEMBLY PROCEDURE

Step One

Place the Legs (PW item 2) on the each side of the Main Base (PW item 1), attach them to the ends of the base using the two 5/16" Studded Star Knobs (HW item 2) and using 5/16" Flat Washers (HW item 11). Screw it through the legs into the threaded insert at both ends of Main Base as shown in "Image One".

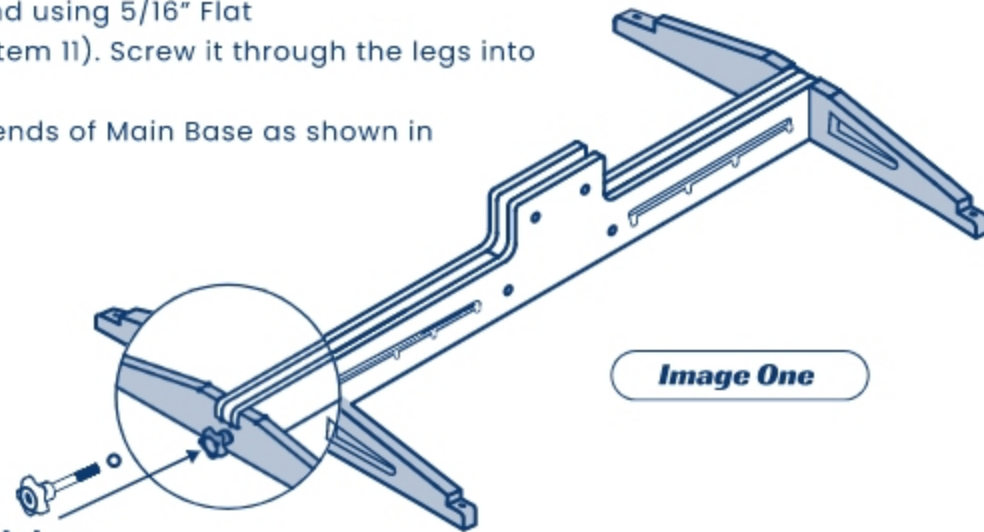


Image One

Note :-

Place the 5/16" Flat Washers before adding the knob

Step Two

Now place the Main Rails (PW item 3) on the top of both sides of the Main Base (PW item 1). Line up the holes and attach them using the 3/8" x 2" Carriage Bolts (HW item 3) and a 3/8" Flat Washers (HW item 10) on one side with the Lock Nuts (HW item 14). NOTE: do not over tighten, they need to move up and down freely.

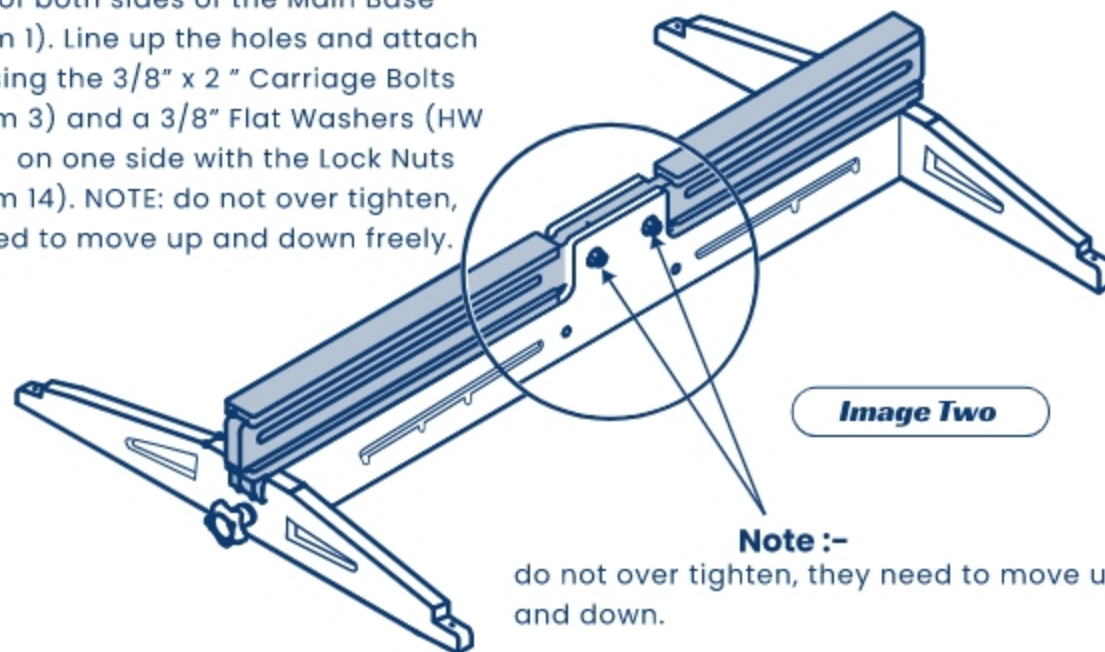


Image Two

Note :-

do not over tighten, they need to move up and down.

4

ASSEMBLY PROCEDURE

Step Three

First place the Sliders (PW item 4) onto each side of the Main Rails as shown in Image 3, now add the Support Arms (PW item 5) to the outer sides of the Sliders and make sure the holes on the side of the Support Arms is aligned hole on the Main Base and other Support Arm hole on the side B is aligned to the slots on the two sliders and the Main Rail.

a) Now attach the side A of the Support Arm to the Main Base using 3/8" x 3 1/4" Carriage Bolt, (HW item 4) , 3/8" Flat Washer (HW item 10) and five star knob(HW item 9).

b) Now attach the side b of the Support Arms to the slot on the Sliders using 3/8" x 3" Carriage Bolts (HW item 5) and add a 1 1/4" Fender Washers (HW item 12) and the 3/8" lever handles. (HW item 13)

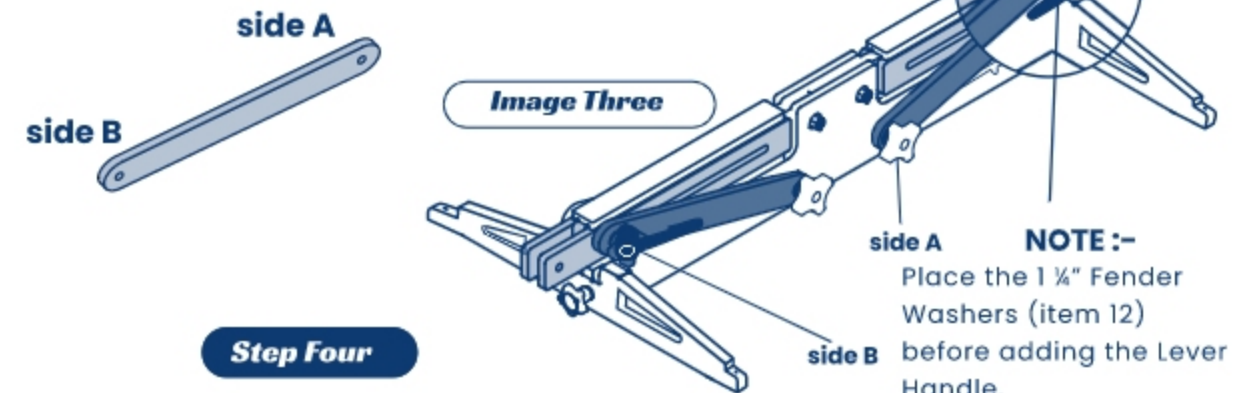


Image Three

NOTE :-

Place the 1 1/4" Fender Washers (item 12) before adding the Lever Handle.

Step Four

Now clamp the Tee-Brackets (PW item 6) between the inner sides of the Sliders (PW item 4) using the 3/8" x 2 1/4" Carriage Bolts (HW item 6) and the 3/8" lever handles (HW item 13) as shown in "Image Four".

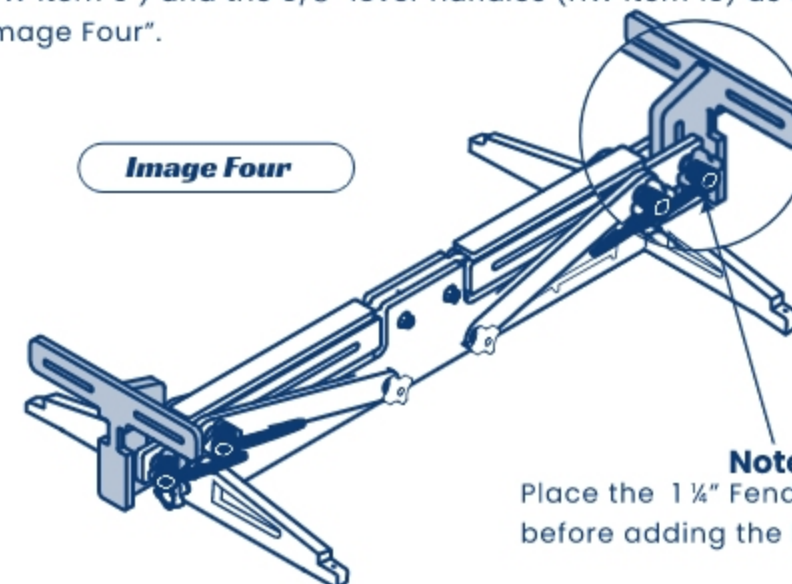


Image Four

Note :-

Place the 1 1/4" Fender Washers (item 12) before adding the lever Handle.

5