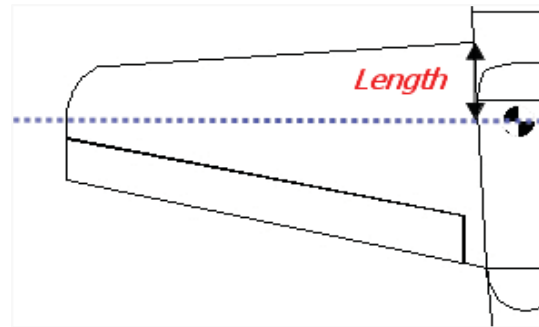
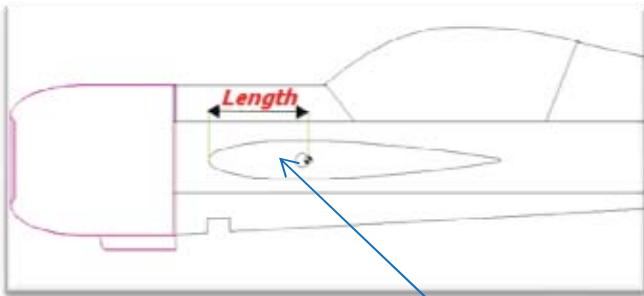


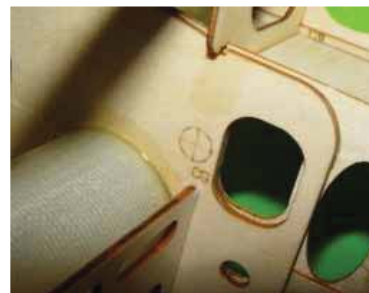
The CG list of Pilot-RC products



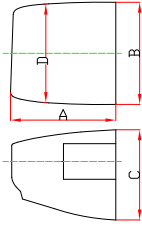
This recommendation balance point is for your first flight. The CG can be moved around to fit your personal taste.

PLANE	CG location
DECATHLON 107"	133mm/5.2inch
DECATHLON 122"	145 mm/5.7inch
DECATHLON 150"	182 mm/7.2inch
DECATHLON 180"	217 mm/8.5inch
YAKM55 73"	165mm/6.5inch
YAKM55 88"	216 mm/8.5inch
YAKM55 107"	267 mm/10.5inch
YAKM55 122"	287mm/11.3inch
YAK-54 53"	126mm/5.0 inch
YAK-54 73"	156 mm/6.1inch
YAK-54 87"	183 mm/7.2inch
YAK-54 107"	225 mm/8.9inch
YAK-54 121"	266 mm/10.5inch
YAK-54 129"	273 mm/10.7inch
YAK-54 148"	314 mm/12.4inch
YAK-54 180"	401 mm/15.8inch
EXTRA-300/330 73"	154mm/6.06inch
EXTRA-300/330 88"	170mm/6.7inch
EXTRA-300/330 107"	211mm/8.3inch
EXTRA-300/330 122"	236mm/9.3inch
Sbach 342 53"	132mm/5.2inch
Sbach 342 73"	145mm/5.7inch
Sbach 342 87"	173mm/6.8inch
Sbach 342 107"	234mm/9.2inch
Sbach 342 122"	269mm/10.6inch
Sbach 342 148"	305mm/12 inch

Skywolf-88"	155mm/6.1inch
Columbia 400 128"	136mm/5.35inch
Columbia 400 150"	141mm/5.6inch
Edge-540 73"	116mm/4.5inch
Edge-540 87"	136mm/5.35inch
Edge-540 107"	141mm/5.6inch
Edge-540 122"	166mm/6.5inch
EXTRA-260 73"	140mm/5.51 inch
EXTRA-260 87"	170mm/6.7inch
EXTRA-260 106"	202mm/7.95inch
EXTRA-260 122"	248mm/9.8inch

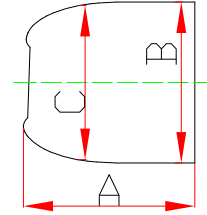


The location of CG has been marked inside plane as show. Usually it is near the wing tube.



unit:mm

SN	plane	A	B	C	D
1	260-73	241	220	195	223
2	260-87	296	263	232	265
3	260-97	330	293	259	290
4	260-106	360	320	283	325
5	260-122	415	367	326	372
6	300-73	245	236	207	210
7	300-88	292	283	251	253
8	300-107	357	343	302	315
9	300-122	406	393	343	350
10	330-60	199	193	170	183
11	330-67	221	216	189	208
12	330-73	245	236	207	230
13	330-78	262	252	221	241
14	330-78V2	262	252	221	241
15	330-88	292	283	251	275
16	330-92	305	297	261	287
17	330-92V2	305	297	261	287
18	330-107	357	343	302	325
19	330-107V2	357	343	302	325
20	330LX-107	357	343	302	325
21	330-122	406	393	343	380
22	342-53	159	141	138	138
23	342-73	230	217	199	218
24	342-87	274	258	237	256
25	342-107	337	318	279	319
26	342-122	385	363	318	366
27	342-148	400	435	400	430
28	540-87	277	248	266	248
29	540-107	341	305	340	300
30	540-122	389	359	374	355
31	540V3-60	180	175	205	173
32	540V3-67	204	184	271	185
33	540V3-78	250	224	266	222
34	540V3-92	294	265	314	275
35	540V3-107	341	307	363	305
36	DEC-107	211	220	264	223
37	DEC-122	236	251	302	255
38	DEC-150	293	320	374	328
39	DEC-180	351	385	448	395
40	K-106	287	309	276	95
41	K-122	330	356	316	360
42	F6F	251	246	321	235
43	400-150	287	341	257	303
44	SKY-WOLF-88	225	177	227	166



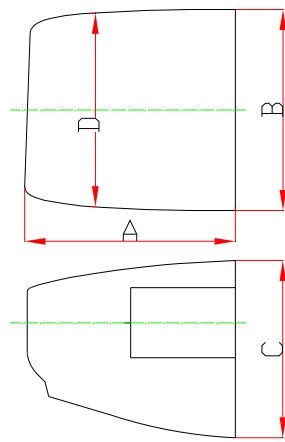
unit:mm

SN	plane	A	B	C
1	YAK54-53	155	∅ 140	∅ 133
2	YAK54-73	260	∅ 224	∅ 222
3	YAK54-87	302	∅ 263	∅ 250
4	YAK54-97	330	∅ 287	∅ 282
5	YAK54-107	380	∅ 330	∅ 323
6	YAK54-121	433	∅ 373	∅ 360
7	YAK54-129	441	∅ 397	∅ 375
8	YAK54-148	423	∅ 456	∅ 440
9	YAK54-180	512	∅ 555	∅ 535
10	YAK55-88	342	∅ 264	∅ 273
11	YAK55-106	399	∅ 322	∅ 326
12	YAK55-122	370	∅ 374	∅ 380
13	YAK55M-122	413	∅ 375	∅ 372

Cowl size (Unit:mm)

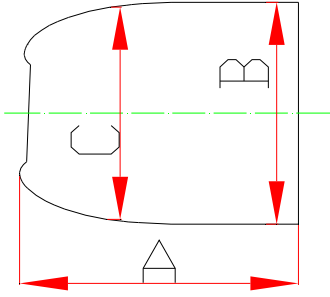
No:	Plane	A	B	C	D
1	260-73	241	220	195	223
2	260-87	296	263	232	265
3	260-97	330	293	259	290
4	260-106	360	320	283	325
5	260-122	415	367	326	372
6	300-73	245	236	207	210
7	300-88	292	283	251	253
8	300-107	357	343	302	315
9	300-122	406	393	343	350
10	330-60	199	193	170	183
11	330-67	221	216	189	208
12	330-73	245	236	207	230
13	330-78	262	252	221	241
14	330-78V2	262	252	221	241
15	330-88	292	283	251	275
16	330-92	305	297	261	287
17	330-92V2	305	297	261	287
18	330-107	357	343	302	325
19	330-107V2	357	343	302	325
20	330LX-107	357	343	302	325
21	330-122	406	393	343	380
22	342-53	159	141	138	138
23	342-73	230	217	199	218
24	342-87	274	258	237	256
25	342-107	337	318	279	319
26	342-122	385	363	318	366
27	342-148	400	435	400	430
28	342-107V2	361	280	289	323
39	400-150	287	341	257	303
30	540-87	277	248	266	248
31	540-107	341	305	340	300
32	540-122	389	359	374	355
33	540V3-60	180	175	205	173
34	540V3-67	204	184	271	185
35	540V3-78	250	224	266	222
36	540V3-92	294	265	314	275
37	540V3-107	341	307	363	305
38	DEC-107	211	220	264	223

39	DEC-122	236	251	302	255
40	DEC-150	293	320	374	328
41	DEC-180	351	385	448	395
42	F6F	251	246	321	235
43	K-106	287	309	276	95
44	K-122	330	356	316	360
45	SKY-WOLF-88	225	177	227	166



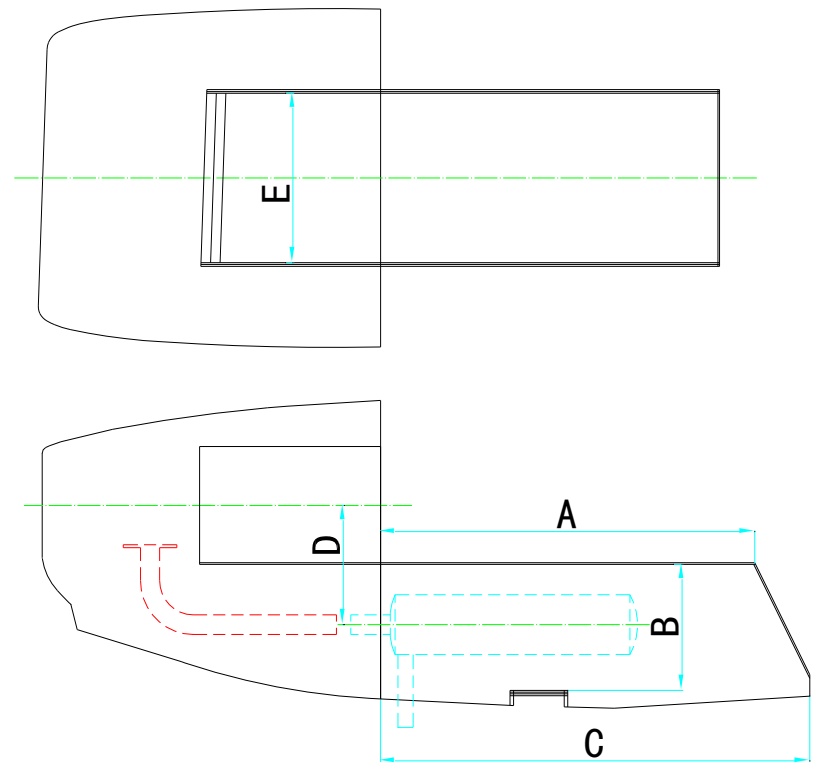
Cowl size (Unit:mm)

No:	Plane	A	B	C
1	YAK 54-53	155	∅ 140	∅ 133
2	YAK 54-73	260	∅ 224	∅ 222
3	YAK 54-87	302	∅ 263	∅ 250
4	YAK 54-97	330	∅ 287	∅ 282
5	YAK 54-107	380	∅ 330	∅ 323
6	YAK 54-121	433	∅ 373	∅ 360
7	YAK 54-129	441	∅ 397	∅ 375
8	YAK 54-148	423	∅ 456	∅ 440
9	YAK 54-180	512	∅ 555	∅ 535
10	YAK 55-88	342	∅ 264	∅ 273
11	YAK 55-106	399	∅ 322	∅ 326
12	YAK 55-122	370	∅ 374	∅ 380
13	YAK 55M-122	413	∅ 375	∅ 372



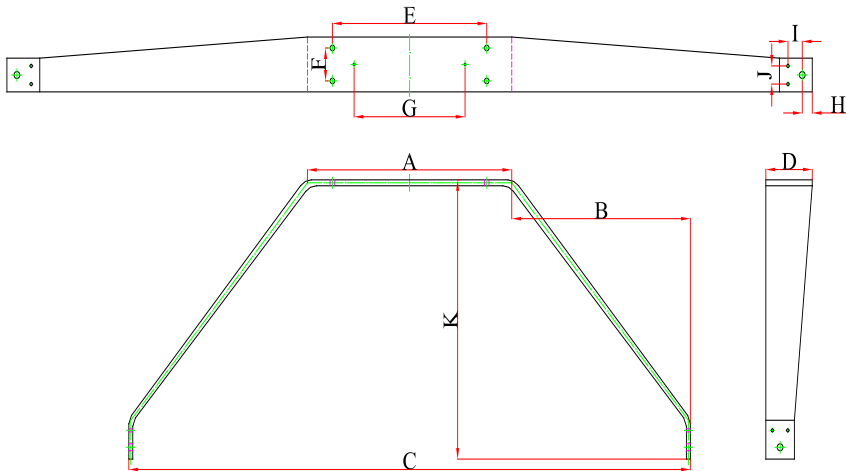
Pilot-RC product canister /header detail

unit:mm						
No.	plane	A	B	C	D	E
1	YAK54-73	354	60	354	48	122
2	YAK54-87	301	81	350	55	122
3	YAK54-107	376	94	446	68	182
4	YAK54-121	373	116	432	97	1980
5	YAK54-129	431	105	489	80	218
6	YAK54-148	573	119	653	100	247
7	YAK54-180	630	158	732	117	266
8	YAK55M-73	403	54	403	46	117
9	YAK55M-88	340	83	387	56	122
10	YAK55M-107	460	96	487	70	182
11	YAK55M-122	680	115	725	85	190
12	260-73	370	80	370	75	121
13	260-87	302	117	370	80	122
14	260-106	342	106	436	113	162
15	260-122	381	120	442	134	190
17	300/330-88	423	90	505	94	142
18	300/330-107	390	127	448	120	172
19	300/330-122	465	137	545	143	190
20	342-73	373	59	373	94	125
21	342-87	300	81	330	111	122
22	342-107	295	85	330	135	192
23	342-122	331	92	380	147	190
24	342-148	461	120	528	186	247
25	540-73	371	85	371	93	119
26	540-87	362	114	450	108	122
27	540-107	435	146	543	133	162
28	540-122	509	122	603	178	190
29	DEC-107	313	92	358	98	122
30	DEC-122	290	110	340	110	152
31	DEC-150	348	126	397	148	192
32	DEC-180	400	146	478	181	232
33	KATANA-106	383	74	423	120	145
34	KATANA-122	430	85	483	140	190
35	400-128	315	56	315	87	163
36	400-150	340	68	340	102	269
37	182-150	468	68	538	115	191



Landing gear size sheet (Unit:mm)

No:	Plane	A (mm)	B (mm)	C (mm)	D (mm)	E (mm)	F (mm)	G (mm)	H (mm)	I (mm)	J (mm)	K (mm)	Mounting hole (mm)	Axle hole (mm)	Pants Hole (mm)	Gear cover hole (mm)
1	182-150	272	231.5	735	60	165.6	35	130	14	13	17	252	∅6	∅8	∅3.2	∅3
2	260-87;540-87;540-V3-92	195	140	475	40	98.2	26	/	12	14.5	13.7	217	∅4.2	∅8	∅3.2	/
3	260-106;540-107;540V3-107;K-106;	245	227.5	700	49	137.6	30	/	14	19	16.5	252	∅6	∅8	∅3.2	/
4	260-122;540-122;540V3-122;342-122;K-122	272	231.5	735	60	165.6	35	/	14	18	16.5	252	∅6	∅8	∅3.2	/
5	300-73;330-73;330-78;330-78V2;330LX-74	150	120.5	391	29	100	16	/	9	11	12	170	∅4.2	∅8	∅3.2	/
6	300-88;330-88	160	157.5	475	40	119	20	93	12	12.3	13.5	203	∅4.2	∅8	∅3.2	∅3
7	300-107;330-107; 330-107V2;330LX-103;330LX-103	195	181	557	50	147.6	28	/	12	20	12	252	∅6	∅8	∅3.2	/
8	300-122;330-122;330-122V2	235	212.5	660	52	165.6	28	/	12	20	12	265	∅6	∅8	∅3.2	/
9	330-60	140	87	315	29	79	14	/	8	9.5	8	142	∅3.2	∅6	∅3	/
10	330-67	140	105	350	30	89	20	/	8	9.5	10.5	145	∅3.2	∅6	∅3	/
11	330-92;330-92V2;330LX-88	160	157.5	475	40	137	20	93	12	12.3	13.5	203	∅4.2	∅8	∅3.2	∅3
12	342-53	105	73.5	252	20	57	/	/	6	11	/	128	∅4.2	∅4	∅2.2	/
13	342-87	155	140	435	40	98.2	26.3	/	12	14.5	13.7	210	∅4.2	∅8	∅3.2	/
14	342-107;342V2-107	245	227.5	700	49	167.6	28	/	14	19	16.5	252	∅6	∅8	∅3.2	/
15	342-148	286	249.5	785	65	216	39	/	14	20	21.5	331	∅6	∅8	∅3.2	/
16	540-67	123	138	400	35	89	20	/	8	10	11	160	∅3.2	∅6	∅3	/
17	540-73;540V3-78;260-73;342-73	165	117.5	400	35	100	16	/	12	14.6	13.7	165	∅4.2	∅8	∅3.2	/
18	DEC-107	195	139	473	40	98.2	25	64.3	12	14.5	13.7	217	∅6	∅8	∅3.2	∅3
19	DEC-122	245	227.5	700	49	120.4	24	86.5	14	19	16.5	252	∅6	∅8	∅3.2	∅3
20	DEC-150	295	235	765	58	167.6	39	132	14	/	/	255	∅6	∅8	∅3.2	∅3
21	DEC-180	345	270.5	886	67	207	40	170	20	/	/	410	∅6	∅8	∅3.2	∅3
22	YAK54-53	105	86.5	278	20	57	/	/	6	11	/	165	∅4.2	∅4	∅2.2	/
23	YAK54-73;YAKM55-73;Y54-78	145	125	395	30	100	16	/	10	15	14	195	∅4.2	∅8	/	/
24	YAK54-87;YAKM55-88	155	140	435	40	98.2	26.3	/	10	/	/	210	∅4.2	∅8	/	/
25	YAK54-107;YAKM55-107	198	232.5	663	50	154	30	/	12	/	/	145	∅6	∅8	/	/
26	YAK54-121;YAKM55-122	215	233	681	59	158.5	31.5	/	12	/	/	252	∅6	∅8	/	/
27	YAK54-129;YAK54-148	250	281	812	65	194.4	40	/	16	/	/	410	∅6	∅8	/	/
28	YAK54-180	351	264.5	880	68	215.6	40	170	20	/	/	398	∅6	∅8	/	∅3

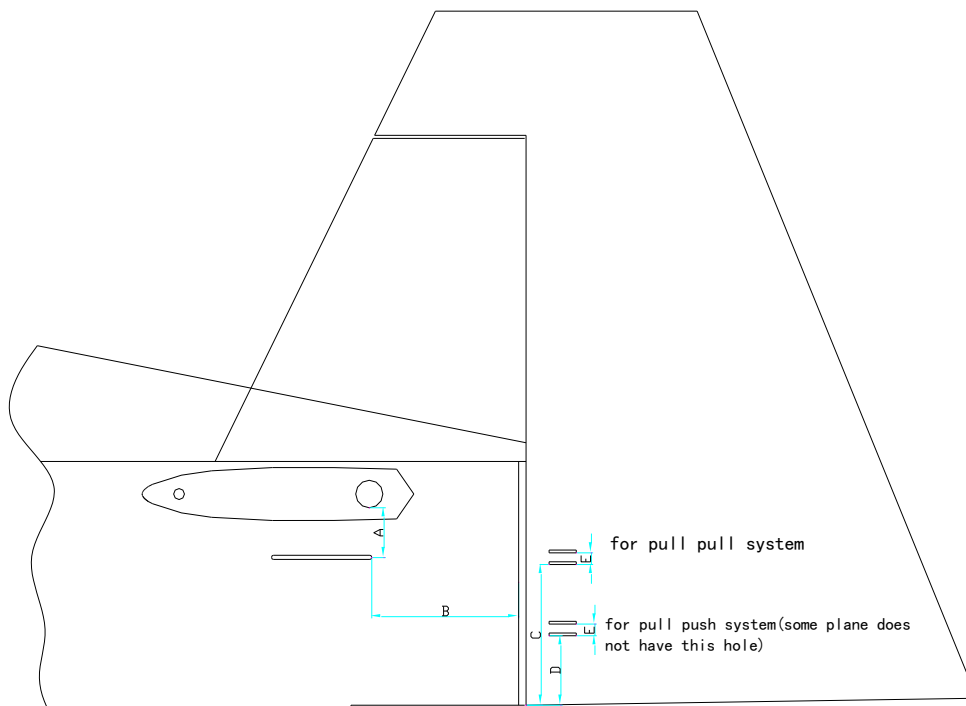


rudder pull pull wire hole and rudder horn position

unit:mm

Page1

No.	plane	A	B	C	D	E
1	260-106	28	136	24	0	8.5
2	260-122	34	91	21	0	8.5
3	260-87	27	145	13	0	8.5
4	300-122	46	46	92	0	8.5
5	342-107	36	101	102	50	8.5
6	342-122	37	49	120	68	8.5
7	342-148	40	31	156	0	8.5
8	342-73	30	85	64	0	8.5
9	342-87	33	24	81	0	8.5
10	540-107	44	126	48	0	8.5
11	540-122	86	54	81	0	8.5
12	540-73	45	121	26	0	8.5
13	540-87	37	90	49	0	8.5
14	DEC-107	84	146	17	0	8.5
15	DEC-122	93	156	26	0	8.5
16	DEC-150	104	125	39	0	8.5
17	DEC-180	134	110	45	0	8.5
18	K-106	77	150	37	0	8.5
19	K-122	40	158	90	0	8.5
20	S-88	0	0	57	0	8.5
21	T-90	0	0	39	0	8.5
22	YAK54-107	30	99	26	0	8.5
23	YAK54-121	33	71	30	0	8.5
24	YAK54-129	38	68	32	0	8.5
25	YAK54-73	27	85	10	0	8.5
26	YAK54-87	28	99	16	0	8.5
27	YAKM55-107	37	114	119	71	8.5
28	YAKM55-122	37	81	148	99	8.5
29	YAKM55-73	33	116	74	0	8.5
30	YAKM55-88	38	108	94	0	8.5

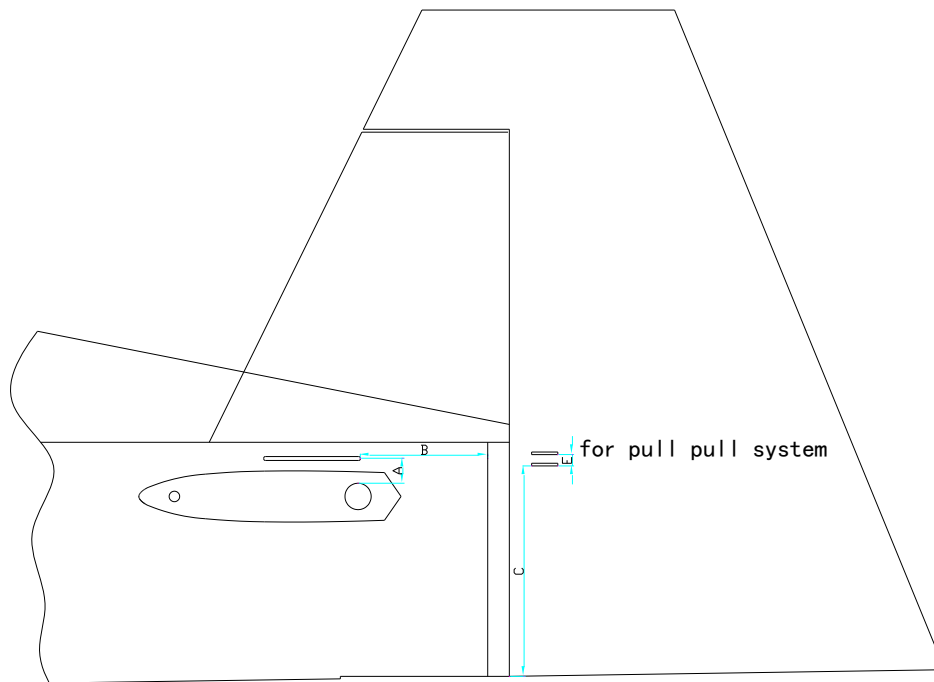


rudder pull pull wire hole and rudder horn position

unit:mm

Page2

No.	plane	A	B	C	D	E
1	260-73	12	103	54	0	8.5
2	300-73	13	62	59	0	8.5
3	300-88	17	61	66	0	8.5
4	300-107	19	77	81	0	8.5
5	YAK54-148	74	160	180	0	8.5
6	YAK54-180	75	66	205	0	8.5

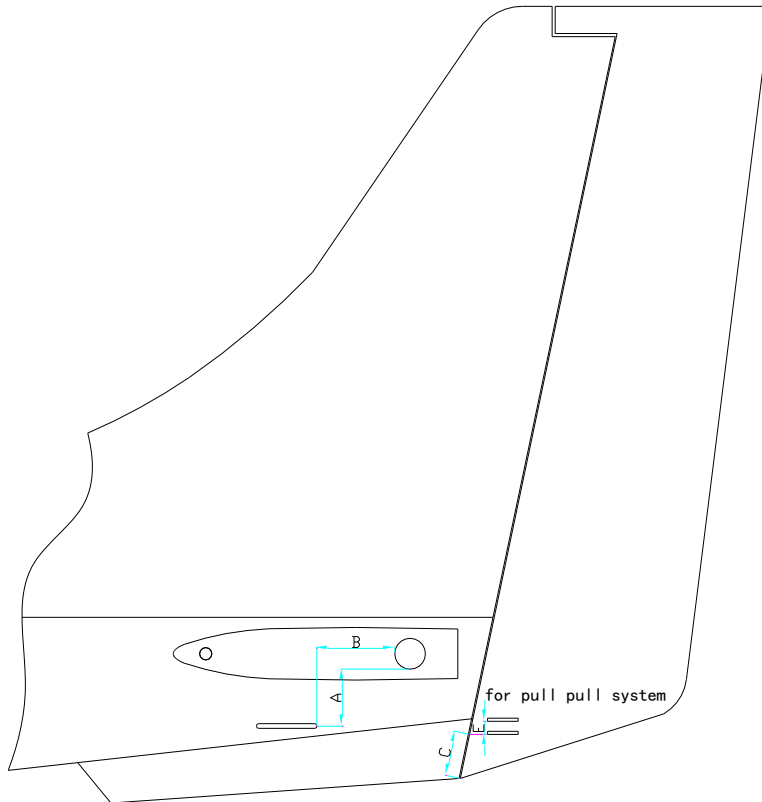


rudder pull pull wire hole and rudder horn position

unit:mm

Page3

No.	plane	A	B	C	D	E
1	400-128	34	35	53	0	8.5
2	400-150	35	13	57	0	8.5
3	Skywolf-88	33	32	44	0	8.5



Pilot-RC plane servo extension length list

Note: this list is base on 30cm of the servo wire(which is normal servo wire length)

No.	Plane	stabilizer servo install position	servo position	servo extension length (cm)	QTY
1	YAK54-53		aileron servo near the	10	2
			aileron servo on the mid of the wing	0	2
			aileron servo on the outside of the wing	0	2
			aileron servo on the outside of the wing (2)	0	2
		on fuselage	stabilizer servo	35	2
			rudder servo	0	0
2	YAK54-73		aileron servo near the	25	2
			aileron servo on the mid of the wing	0	2
			aileron servo on the outside of the wing	0	2
			aileron servo on the outside of the wing (2)	0	2
		on fuselage	stabilizer servo	55	2
			rudder servo	0	0
3	YAK54-87		aileron servo near the	25	2
			aileron servo on the mid of the wing	0	2
			aileron servo on the outside of the wing	0	2
			aileron servo on the outside of the wing (2)	0	2
		on fuselage	stabilizer servo	75	2
			rudder servo	0	0
4	YAK54-107		aileron servo near the	25	2
			aileron servo on the mid of the wing	45	2
			aileron servo on the outside of the wing	75	2
			aileron servo on the outside of the wing (2)	0	2
		inside of the stabilizer	stabilizer servo	135	2
			rudder servo	0	0
5	YAK54-121		aileron servo near the	15	2
			aileron servo on the mid of the wing	55	2
			aileron servo on the outside of the wing	95	2
			aileron servo on the outside of the wing (2)	0	2
		inside of the stabilizer	stabilizer servo	150	4
			rudder servo	0	0

6	YAK54-129		aileron servo near the	20	2
			aileron servo on the mid of the wing	67	2
			aileron servo on the outside of the wing	118	2
			aileron servo on the outside of the wing (2)	0	2
		inside of the stabilizer	stabilizer servo	160	4
			rudder servo	0	0
7	YAK54-148		aileron servo near the	30	2
			aileron servo on the mid of the wing	80	2
			aileron servo on the outside of the wing	130	2
			aileron servo on the outside of the wing (2)	0	2
		inside of the stabilizer	stabilizer servo	185	4
			rudder servo	0	0
8	YAK54-180		aileron servo near the	30	2
			aileron servo on the mid of the wing	80	2
			aileron servo on the outside of the wing	120	2
			aileron servo on the outside of the wing (2)	165	2
		inside of the stabilizer	stabilizer servo	225	4
			rudder servo	0	0
9	YAKM55-73		aileron servo near the	20	2
			aileron servo on the mid of the wing	0	2
			aileron servo on the outside of the wing	0	2
			aileron servo on the outside of the wing (2)	0	2
		on fuselage	stabilizer servo	60	2
			rudder servo	0	0
10	YAKM55-88		aileron servo near the	25	2
			aileron servo on the mid of the wing	0	2
			aileron servo on the outside of the wing	0	2
			aileron servo on the outside of the wing (2)	0	2
		inside of the stabilizer	stabilizer servo	105	2
			rudder servo	0	0
11	YAKM55-107		aileron servo near the	25	2
			aileron servo on the mid of the wing	40	2
			aileron servo on the outside of the wing	75	2
			aileron servo on the outside of the wing (2)	0	2
		inside of the stabilizer	stabilizer servo	135	2
			rudder servo	115	2

12	YAKM55-122		aileron servo near the	15	2
			aileron servo on the mid of the wing	55	2
			aileron servo on the outside of the wing	95	2
			aileron servo on the outside of the wing (2)	0	2
		inside of the stabilizer	stabilizer servo	150	4
			rudder servo	130	4
13	EXTRA260-73		aileron servo near the	25	2
			aileron servo on the mid of the wing	0	2
			aileron servo on the outside of the wing	0	2
			aileron servo on the outside of the wing (2)	0	2
		on fuselage	stabilizer servo	55	2
			rudder servo	0	0
14	EXTRA260-87		aileron servo near the	30	2
			aileron servo on the mid of the wing	0	2
			aileron servo on the outside of the wing	0	2
			aileron servo on the outside of the wing (2)	0	2
		on fuselage	stabilizer servo	95	2
			rudder servo	0	0
15	EXTRA260-106		aileron servo near the	20	2
			aileron servo on the mid of the wing	40	2
			aileron servo on the outside of the wing	80	2
			aileron servo on the outside of the wing (2)	0	2
		inside of the stabilizer	stabilizer servo	140	2
			rudder servo	0	0
16	EXTRA260-122		aileron servo near the	30	2
			aileron servo on the mid of the wing	75	2
			aileron servo on the outside of the wing	115	2
			aileron servo on the outside of the wing (2)	0	2
		inside of the stabilizer	stabilizer servo	165	4
			rudder servo	145	2
17	EXTRA300-73 EXTRA330-73		aileron servo near the	25	2
			aileron servo on the mid of the wing	0	2
			aileron servo on the outside of the wing	0	2
			aileron servo on the outside of the wing (2)	0	2
		on fuselage	stabilizer servo	70	2
			rudder servo	0	0

18	EXTRA300-88 EXTRA330-88		aileron servo near the	40	2
			aileron servo on the mid of the wing	0	2
			aileron servo on the outside of the wing	0	2
			aileron servo on the outside of the wing (2)	0	2
		inside of the stabilizer	stabilizer servo	125	2
			rudder servo	0	0
19	EXTRA300-107 EXTRA330-107		aileron servo near the	30	2
			aileron servo on the mid of the wing	45	2
			aileron servo on the outside of the wing	80	2
			aileron servo on the outside of the wing (2)	0	2
		inside of the stabilizer	stabilizer servo	145	2
			rudder servo	0	0
20	EXTRA300-122 EXTRA330-122		aileron servo near the	30	2
			aileron servo on the mid of the wing	70	2
			aileron servo on the outside of the wing	110	2
			aileron servo on the outside of the wing (2)	0	2
		inside of the stabilizer	stabilizer servo	165	4
			rudder servo	0	0
21	SBACH342-53		aileron servo near the	7	2
			aileron servo on the mid of the wing	0	2
			aileron servo on the outside of the wing	0	2
			aileron servo on the outside of the wing (2)	0	2
		on fuselage	stabilizer servo	35	2
			rudder servo	0	0
22	SBACH342-73		aileron servo near the	20	2
			aileron servo on the mid of the wing	0	2
			aileron servo on the outside of the wing	0	2
			aileron servo on the outside of the wing (2)	0	2
		on fuselage	stabilizer servo	55	2
			rudder servo	0	0
23	SBACH342-87		aileron servo near the	25	2
			aileron servo on the mid of the wing	0	2
			aileron servo on the outside of the wing	0	2
			aileron servo on the outside of the wing (2)	0	2
		on fuselage	stabilizer servo	75	2
			rudder servo	0	0

24	SBACH342-107		aileron servo near the	25	2
			aileron servo on the mid of the wing	40	2
			aileron servo on the outside of the wing	75	2
			aileron servo on the outside of the wing (2)	0	2
		inside of the stabilizer	stabilizer servo	135	2
			rudder servo	115	2
25	SBACH342-122		aileron servo near the	20	2
			aileron servo on the mid of the wing	57	2
			aileron servo on the outside of the wing	95	2
			aileron servo on the outside of the wing (2)	0	2
		inside of the stabilizer	stabilizer servo	155	4
			rudder servo	135	4
26	SBACH342-148		aileron servo near the	30	2
			aileron servo on the mid of the wing	80	2
			aileron servo on the outside of the wing	130	2
			aileron servo on the outside of the wing (2)	0	2
		inside of the stabilizer	stabilizer servo	200	4
			rudder servo	0	0
27	EDGE540-73		aileron servo near the	20	2
			aileron servo on the mid of the wing	0	2
			aileron servo on the outside of the wing	0	2
			aileron servo on the outside of the wing (2)	0	2
		on fuselage	stabilizer servo	50	2
			rudder servo	0	0
28	EDGE540-87		aileron servo near the	25	2
			aileron servo on the mid of the wing	0	2
			aileron servo on the outside of the wing	0	2
			aileron servo on the outside of the wing (2)	0	2
		on fuselage	stabilizer servo	70	2
			rudder servo	0	0
29	EDGE540-107		aileron servo near the	27	2
			aileron servo on the mid of the wing		2
			aileron servo on the outside of the wing	77	2
			aileron servo on the outside of the wing (2)	40	2
		inside of the stabilizer	stabilizer servo	130	2
			rudder servo	110	2

30	EDGE540-122		aileron servo near the	30	2
			aileron servo on the mid of the wing	70	2
			aileron servo on the outside of the wing	115	2
			aileron servo on the outside of the wing (2)	0	2
		inside of the stabilizer	stabilizer servo	140	4
			rudder servo	120	4
31	columbia 400-128		aileron servo near the	35	2
			aileron servo on the mid of the wing	0	2
			aileron servo on the outside of the wing	100	2
			aileron servo on the outside of the wing (2)	0	2
		inside of the stabilizer	stabilizer servo	110	2
			rudder servo	30	2
32	columbia 400-150		aileron servo near the	47	2
			aileron servo on the mid of the wing	0	2
			aileron servo on the outside of the wing	130	2
			aileron servo on the outside of the wing (2)	0	2
		inside of the stabilizer	stabilizer servo	140	2
			rudder servo	0	0

33	skyline 182-150		aileron servo near the	35	2
			aileron servo on the mid of the wing	90	2
			aileron servo on the outside of the wing	130	2
			aileron servo on the outside of the wing (2)	0	2
		inside of the stabilizer	stabilizer servo	160	2
			rudder servo	140	1
34	KATANA-106		aileron servo near the	28	2
			aileron servo on the mid of the wing	40	2
			aileron servo on the outside of the wing	85	2
			aileron servo on the outside of the wing (2)	0	2
		inside of the stabilizer	stabilizer servo	135	2
			rudder servo	0	0
35	KATANA-122		aileron servo near the	27	2
			aileron servo on the mid of the wing	70	2
			aileron servo on the outside of the wing	110	2
			aileron servo on the outside of the wing (2)	0	2
		inside of the stabilizer	stabilizer servo	155	4
			rudder servo	0	0
36	SKY-WOLF-88		aileron servo near the	15	2
			aileron servo on the mid of the wing	0	2
			aileron servo on the outside of the wing	65	2
			aileron servo on the outside of the wing (2)	0	2
		on fuselage	stabilizer servo	70	2
			rudder servo	85	1
37	DECATHLON-107		aileron servo near the	20	2
			aileron servo on the mid of the wing	0	2
			aileron servo on the outside of the wing	75	2
			aileron servo on the outside of the wing (2)	0	2
		on fuselage	stabilizer servo	85	2
			rudder servo	95	1
38	DECATHLON-122		aileron servo near the	25	2
			aileron servo on the mid of the wing	95	2
			aileron servo on the outside of the wing	0	2
			aileron servo on the outside of the wing (2)	0	2
		on fuselage	stabilizer servo	100	2
			rudder servo	100	1

39	DECATHLON-150		aileron servo near the	35	2
			aileron servo on the mid of the wing	85	2
			aileron servo on the outside of the wing	150	2
			aileron servo on the outside of the wing (2)	0	2
		inside of the stabilizer	stabilizer servo	160	2
			rudder servo	0	0
40	DECATHLON-180		aileron servo near the	50	2
			aileron servo on the mid of the wing	105	2
			aileron servo on the outside of the wing	145	2
			aileron servo on the outside of the wing (2)	185	2
		inside of the stabilizer	stabilizer servo	195	4
			rudder servo	165	2
41	Sport-88		aileron servo near the	25	2
			aileron servo on the mid of the wing	0	2
			aileron servo on the outside of the wing	82	2
			aileron servo on the outside of the wing (2)	0	2
		on fuselage	stabilizer servo	105	2
			rudder servo	105	1
42	Trainer-90		aileron servo near the	25	2
			aileron servo on the mid of the wing	0	2
			aileron servo on the outside of the wing	82	2
			aileron servo on the outside of the wing (2)	0	2
		on fuselage	stabilizer servo	105	2
			rudder servo	105	1
43	Glider-216"		aileron servo near the	75	2
			aileron servo on the mid of the wing	0	2
			aileron servo on the outside of the wing	0	2
			aileron servo on the outside of the wing (2)	0	2
		on fuselage	stabilizer servo	100	2
			rudder servo	0	2

Pilot-RC plane wing/stab tube size list

wing tube/stab tube	CF tubes size (mm)	used for airframe
stab tube	12.5*246*1.2	GULF650-97
stab tube	12.5*320*1.2	EXTRA260-87、YAK54-73、EXTRA260-73、EXTRA300-73、SBACH342-73、YAKM55-73、EXTRA330SC-73、EXTRA330SC-78、EDGE540-73、EDGE540V3-78、DOLPHIN-71
stab tube	12.5*335*1.2	DECATHLON-150
stab tube	12.5*356*1.2	DECATHLON-180
stab tube	12.5*358.5*1.2	YAK54-87、YAKM55-88、SBACH342-87、EDGE540-87
stab tube	12.5*396*1.2	EXTRA300-88、EXTRA330SC-88、EXTRA330SC-92、EDGE540V3-92
stab tube	12.5*512*1.2	DECATHLON-150
stab tube	12.5*608*1.2	DECATHLON-180
stab tube	12.5*805*1.2	BERGFALKE II 55-216
stab tube	12.5*90*1.2	GULF650-97
stab tube	19*405*1.2	COLUMBIA400-128
stab tube	19*430*1.2	YAKM55-107
stab tube	19*440*1.2	YAK54-107、EXTRA260-106、EXTRA300-107、SBACH342-107、SKYLINE182-150、EDGE540-107、EDGE540V3-107、EXTRA330SC-107、EXTRA330LX-107、COLUMBIA400-150
stab tube	19*488*1.2	YAK54-148、SBACH342-148
stab tube	19*647*2	YAK54-180
stab tube	25*580*1.4	EXTRA260-122
stab tube	25*592*1.4	YAK54-121、YAKM55-122、EXTRA300-122、SBACH342-122、EXTRA330SC-122、EDGE540-122、EDGE540V3-122
stab tube	25*625*2	YAK54-148、SBACH342-148
stab tube	25*685*1.4	YAK54-129

Pilot-RC plane wing/stab tube size list

stab tube	25*915*2	YAK54-180
stab tube	8*275*1.2	DECATHLON122、DECATHLON107
stab tube	8*419*1.2	DECATHLON122、DECATHLON107
wing tube	12.5*905*1.4	SKYLINE182-150
wing tube	16*725*0.7	EXTRA330SC-67、EDGE540V3-67
wing tube	19*1425*1.8	BERGFALKE II 55-216
wing tube	19*640*1.4	DECATHLON-107
wing tube	19*653*1.6	GULF650-97
wing tube	19*723*1.4	DECATHLON-122、YAK54-73、EXTRA260-73、EXTRA300-73、SBACH342-73、YAKM55-73、EXTRA330SC-73、EXTRA330SC-78、EDGE540-73、EDGE540V3-78
wing tube	19*806*1.4	DOLPHIN-71
wing tube	25*1265*1.6	DECATHLON-122
wing tube	25*1503*1.6	DECATHLON-180
wing tube	25*808*1.6	YAK54-87、YAKM55-88、SBACH342-87、SKY-WOLF-88
wing tube	25*841*1.6	EXTRA260-87、EDGE540-87
wing tube	25*880*2	GULF650-97
wing tube	25*902*1.6	DECATHLON-150
wing tube	25*907*1.6	EXTRA300-88、EXTRA330SC-88、EXTRA330SC-92、EDGE540V3-92
wing tube	25*953*1.6	DECATHLON-107
wing tube	38*1089*1.85	YAK54-107、YAKM55-107、EXTRA260-106、EXTRA300-107、SBACH342-107、EDGE540-107、EDGE540V3-107、EXTRA330SC-107、EXTRA330LX-107
wing tube	38*1220*2.5	YAK54-180

Pilot-RC plane wing/stab tube size list

wing tube	38*1553*1.7	DECATHLON-150、SKYLINE182-150
wing tube	38*2067*1.85	DECATHLON-180
wing tube	50*1168*1.6	YAK54-121、YAKM55-122、EXTRA300-122、EXTRA260-122、SBACH342-122、EDGE540-122、EDGE540V3-122
wing tube	50*1218*1.6	YAK54-129
wing tube	50*1428*1.6	EXTRA330SC-122
wing tube	60*1423*2.4	YAK54-148、SBACH342-148
wing tube	70*1722*3	YAK54-180

Axle size		
plane	size	
YAK54-73	4x35	
YAKM55-73		
342-73		
330SC-73		
330SC-78		
330-78V2		
540-73		
540V3-78		
YAK54-87		5x47
YAKM55-88		
330SC-88		
330SC-92		
330-92V2		
540-87		
540V3-92		
342-87		

Axle size	
plane	size
YAK54-107	5x55
YAK54-121	
YAK54-129	
YAKM55-107	
YAKM55-122	
342-107	
342-122	
330SC-107	
330-107V2	
330SC-122	
330-122V2	
540-107	
540-122	
540V3-122	
DEC-107	
DEC-122	
540V3-107	
330LX-107	
YAK54-148	8X85
342-148	
DEC-150	8X105
DEC-180	7.8X120